



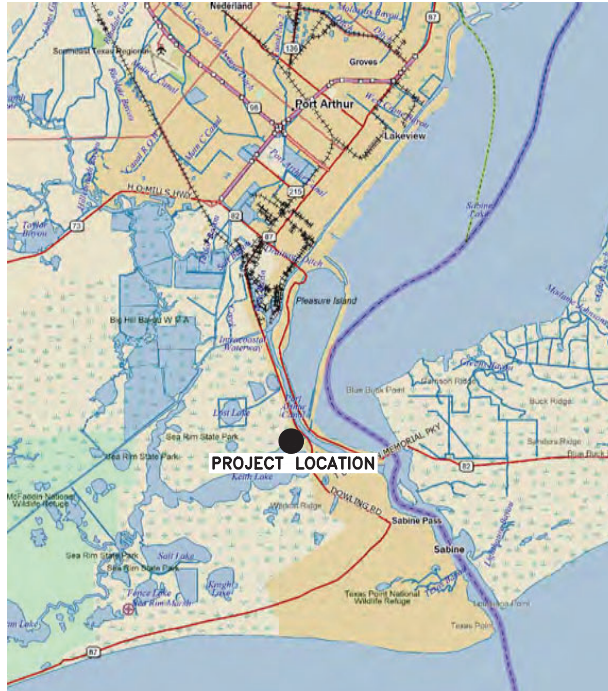
DUCKS UNLIMITED, INC.

KEITH LAKE FISH PASS

JEFFERSON COUNTY
IN COOPERATION WITH
NATIONAL FISH & WILDLIFE FEDERATION



PROJECT LOCATION



INDEX

- 1 COVER SHEET
- 2 PROJECT VICINITY
- 3 EXISTING CONDITIONS
- 4 PROPOSED CONDITIONS
- 5 SECTION "A-A"
- 6 SECTION "B-B"
- 7 SECTION "C-C" & SECTION "D-D"
- 8 SECTION "E-E"
- 9 IMPACT TABLES

CAUTION:
The engineer preparing these plans will not be responsible for, or liable for, unauthorized changes to or uses of these plans. All changes to the plans must be in writing and must be approved by the preparer of these plans.


NOTICE: THIS DOCUMENT IS RELEASED FOR THE PURPOSE OF INTERIM REVIEW UNDER THE AUTHORITY OF CARTER A. COLEMAN, P.E. 126025, C.O.R. F-001112 ON MARCH 22, 2024. THIS DRAWING IS FOR PERMIT PURPOSES ONLY.

PROJECT NUMBER: DU-TX-3-2
KEITH LAKE FISH PASS
COVER SHEET
DATE: 3/24

DUCKS UNLIMITED INC.
SOUTHERN REGIONAL OFFICE
193 Business Park Drive, Suite E
Ridgeland, MS 39157
C.O.A. F-001112 EXPIRES: 9/30/24

SHEET NUMBER
1



 DUCKS UNLIMITED INC. SOUTHERN REGIONAL OFFICE 193 Business Park Drive, Suite E Ridgeland, MS 39157 C.O.A. F-001112 EXPIRES: 9/30/24	PROJECT NUMBER: DU-TX-3-2	NOTICE: THIS DOCUMENT IS RELEASED FOR THE PURPOSE OF INTERIM REVIEW UNDER THE AUTHORITY OF CARTER A. COLEMAN, P.E. 126025, C.O.R. F-001112 ON MARCH 22, 2024. THIS DRAWING IS FOR PERMIT PURPOSES ONLY.
	KEITH LAKE FISH PASS PROJECT OVERVIEW DATE: 3/24	
SHEET NUMBER	2	

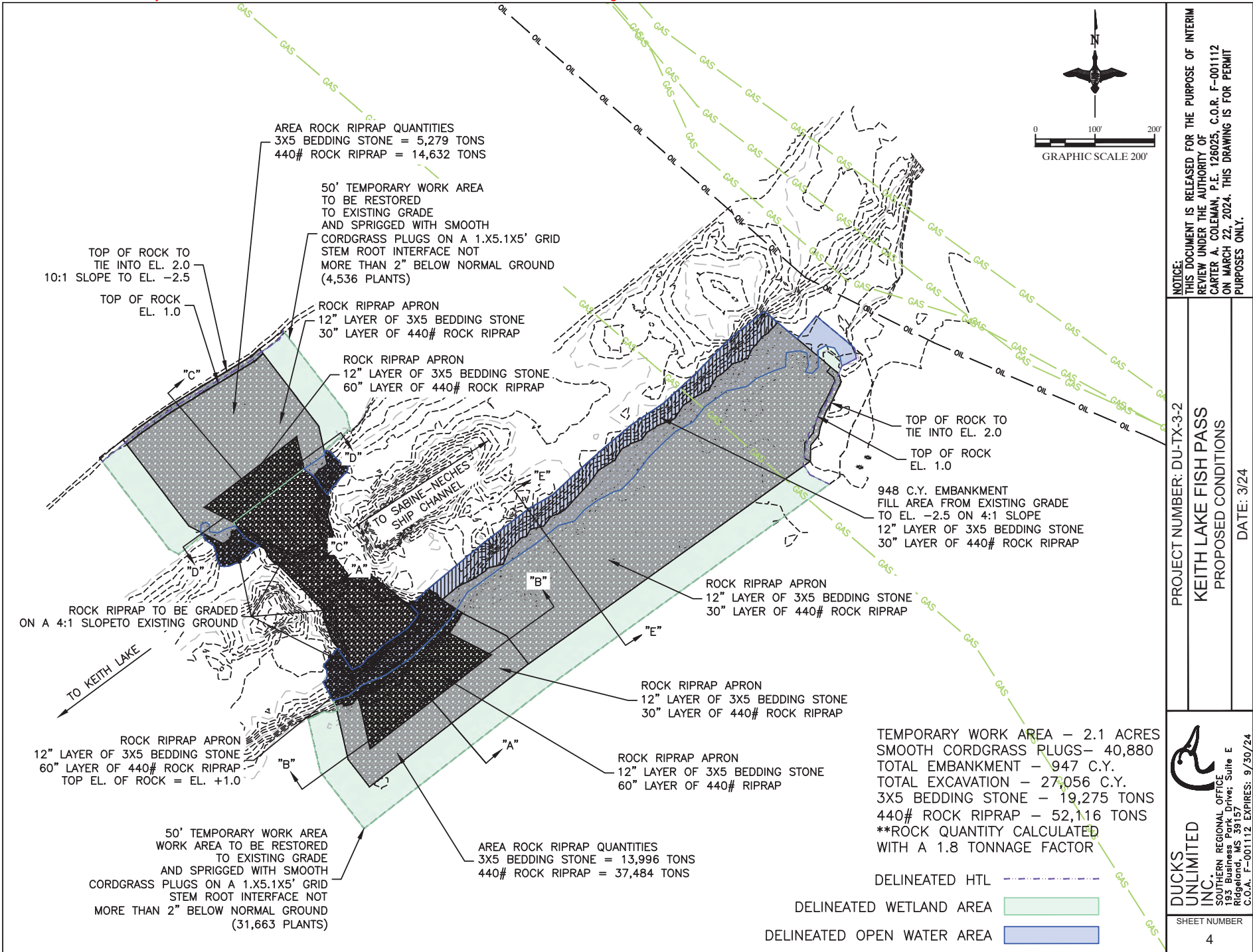


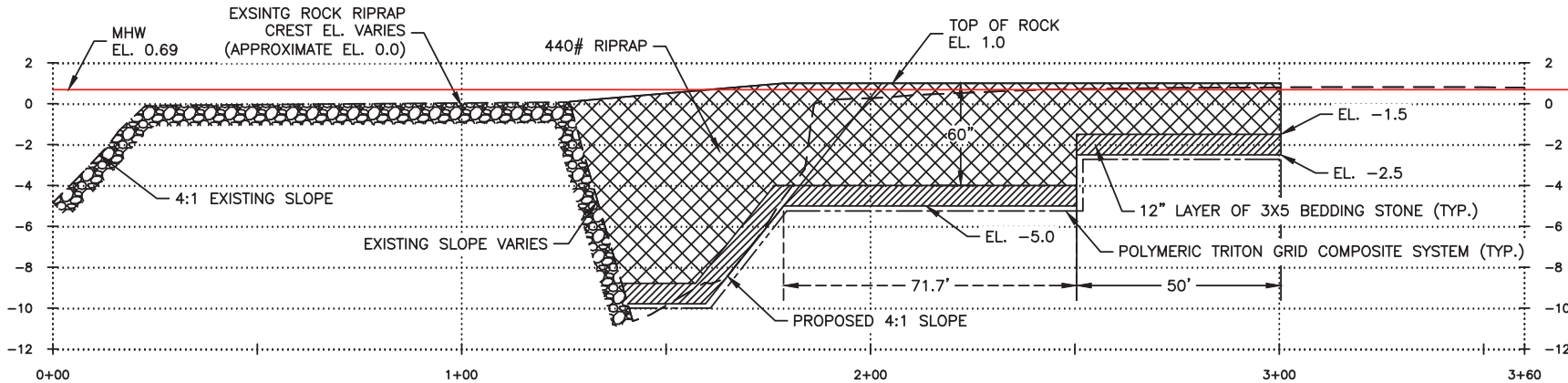
NOTICE: THIS DOCUMENT IS RELEASED FOR THE PURPOSE OF INTERIM REVIEW UNDER THE AUTHORITY OF CARTER A. COLEMAN, P.E. 126025, C.O.R. F-001112 ON MARCH 22, 2024. THIS DRAWING IS FOR PERMIT PURPOSES ONLY.

PROJECT NUMBER: DU-TX-3-2
 KEITH LAKE FISH PASS
 EXISTING CONDITIONS
 DATE: 3/24

DUCKS UNLIMITED INC.
 SOUTHERN REGIONAL OFFICE
 193 Business Park Drive, Suite E
 Ridgeland, MS 39157
 C.O.A. F-001112 EXPIRES: 9/30/24



SHEET NUMBER
 3





SECTION "A-A"
HORIZONTAL SCALE: 1" = 40'
VERTICAL SCALE: 1" = 8'

CROSS SECTIONS LEGEND

- EXISTING GROUND PROFILE
- PROPOSED GRADE PROFILE
-  3X5 BEDDING STONE
-  440# ROCK RIPRAP
- POLYMERIC TRITON GRID COMPOSITE SYSTEM
- MEAN HIGH WATER — ELEVATION 0.69 (NAVD88)

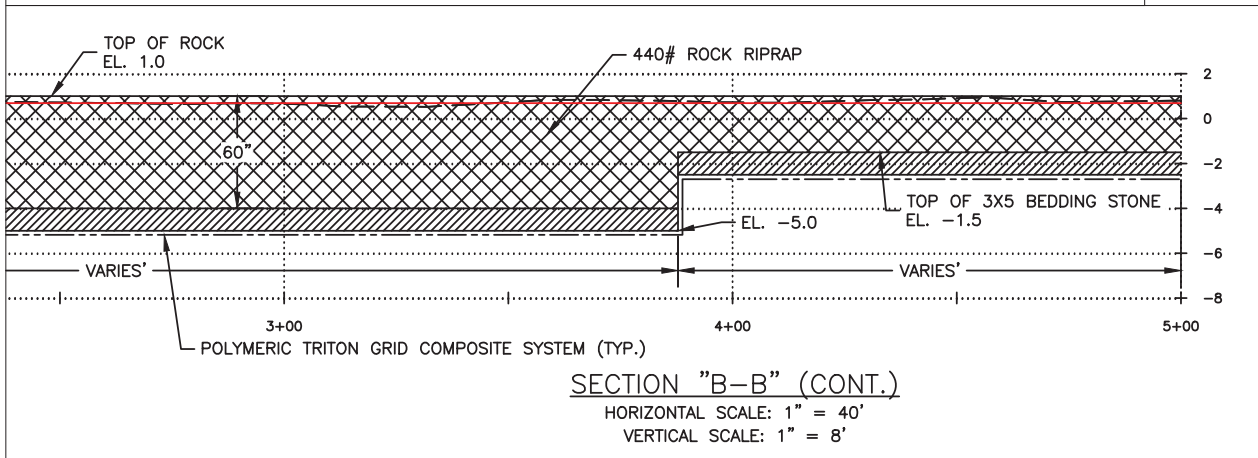
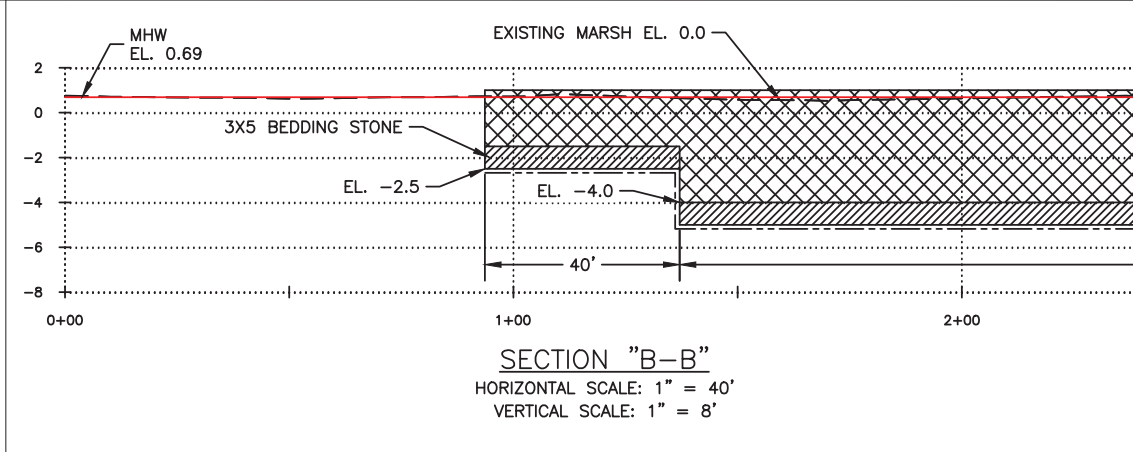
TIDAL DATUMS (NAVD88)

- MHHW = 0.81
- MHW = 0.69
- MTL = 0.03
- MLW = -0.64
- MLLW = -1.12
- *BASED ON TEXAS POINT, SABINE
PASS NOAA TIDE GAUGE #8770822
- HTL = 1.1 (NAVD88)

NOTICE: THIS DOCUMENT IS RELEASED FOR THE PURPOSE OF INTERIM REVIEW UNDER THE AUTHORITY OF CARTER A. COLEMAN, P.E. 126025, C.O.R. F-001112 ON MARCH 22, 2024. THIS DRAWING IS FOR PERMIT PURPOSES ONLY.

PROJECT NUMBER: DU-TX-3-2
KEITH LAKE FISH PASS
SECTION "A-A"
DATE: 3/24


DUCKS UNLIMITED INC.
SOUTHERN REGIONAL OFFICE
193 Business Park Drive, Suite E
Ridgeland, MS 39157
C.O.A. F-001112 EXPIRES: 9/30/24



CROSS SECTIONS LEGEND

- EXISTING GROUND PROFILE
- PROPOSED GRADE PROFILE
- 3X5 BEDDING STONE
- 440# ROCK RIPRAP
- POLYMERIC TRITON GRID COMPOSITE SYSTEM
- MEAN HIGH WATER — ELEVATION 0.69 (NAVD88)

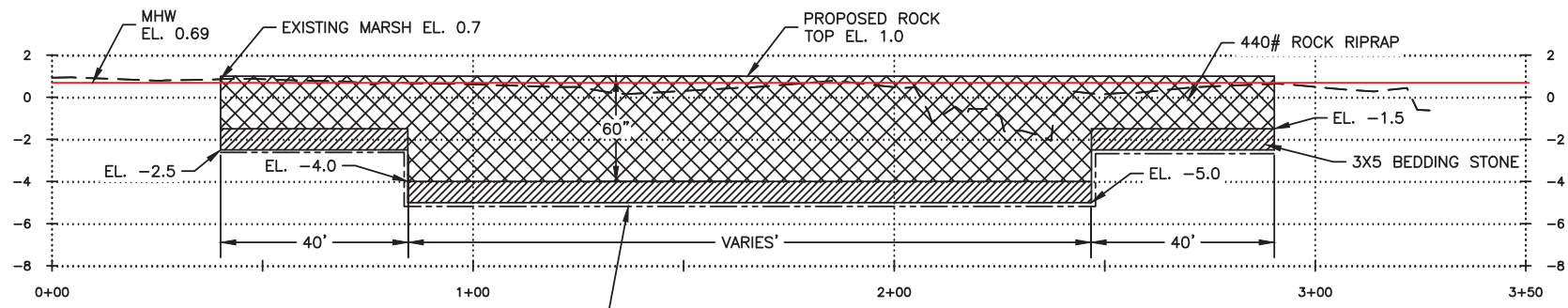
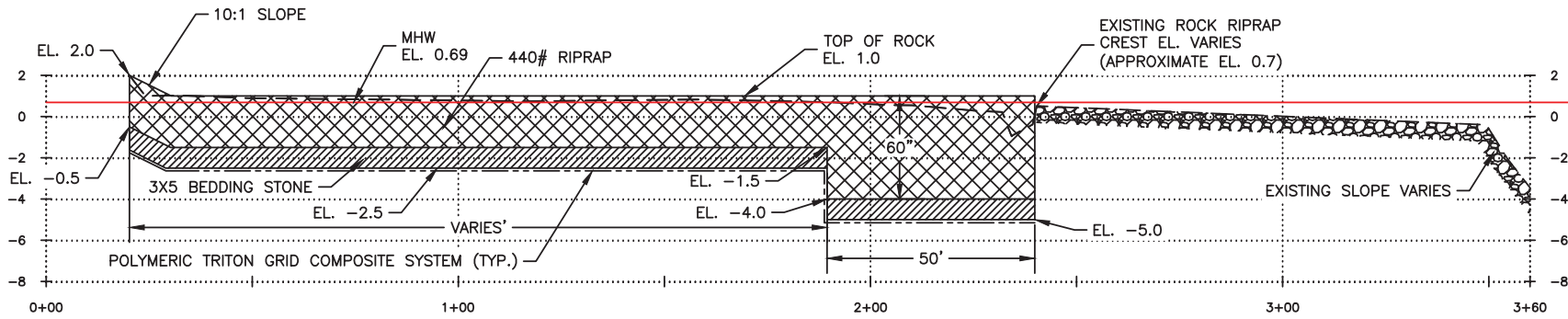
TIDAL DATUMS (NAVD88)

- MHHW = 0.81
- MHW = 0.69
- MTL = 0.03
- MLW = -0.64
- MLLW = -1.12
- *BASED ON TEXAS POINT, SABINE PASS NOAA TIDE GAUGE #8770822
- HTL = 1.1 (NAVD88)

NOTICE: THIS DOCUMENT IS RELEASED FOR THE PURPOSE OF INTERIM REVIEW UNDER THE AUTHORITY OF CARTER A. COLEMAN, P.E. 126025, C.O.R. F-001112 ON MARCH 22, 2024. THIS DRAWING IS FOR PERMIT PURPOSES ONLY.

PROJECT NUMBER: DU-TX-3-2
KEITH LAKE FISH PASS
SECTION "B-B"
DATE: 3/24

DUCKS UNLIMITED INC.
SOUTHERN REGIONAL OFFICE
193 Business Park Drive, Suite E
Ridgeland, MS 39157
C.O.A. F-001112 EXPIRES: 9/30/24



CROSS SECTIONS LEGEND

- EXISTING GROUND PROFILE
- PROPOSED GRADE PROFILE
- ▨ 3X5 BEDDING STONE
- ▩ 440# ROCK RIPRAP
- POLYMERIC TRITON GRID COMPOSITE SYSTEM
- MEAN HIGH WATER — ELEVATION 0.69 (NAVD88)

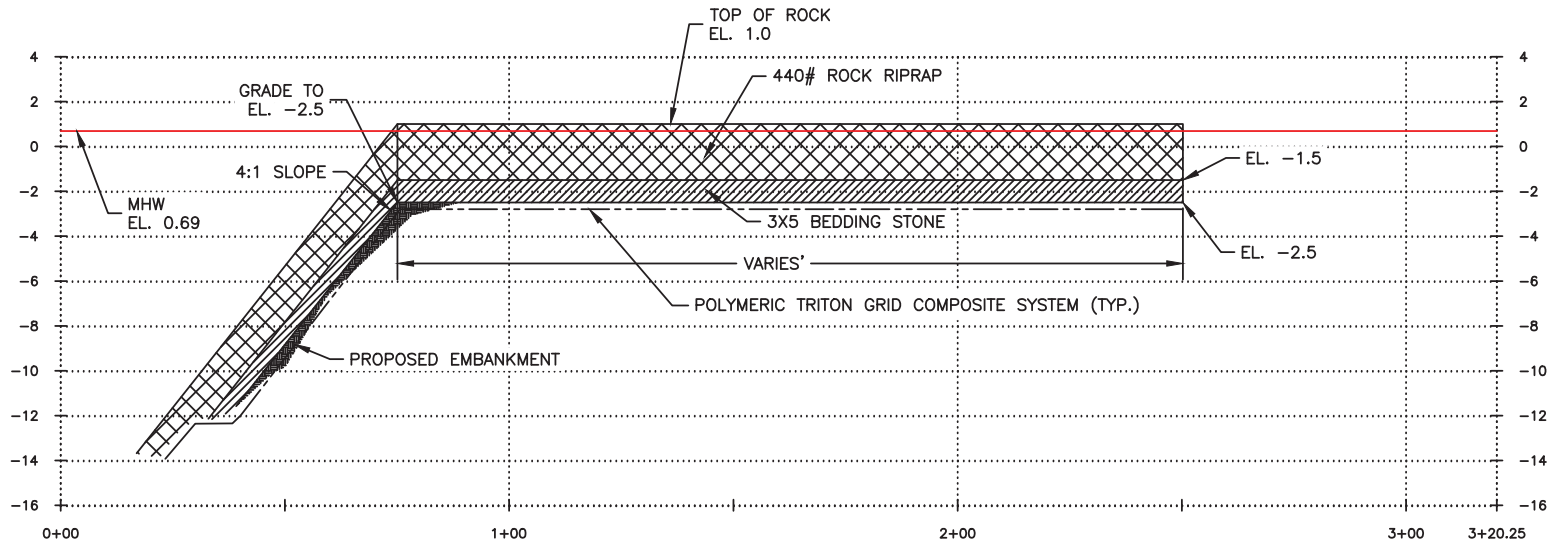
TIDAL DATUMS (NAVD88)

- MHHW = 0.81
- MHW = 0.69
- MTL = 0.03
- MLW = -0.64
- MLLW = -1.12
- *BASED ON TEXAS POINT, SABINE
PASS NOAA TIDE GAUGE #8770822
HTL = 1.1 (NAVD88)

NOTICE: THIS DOCUMENT IS RELEASED FOR THE PURPOSE OF INTERIM REVIEW UNDER THE AUTHORITY OF CARTER A. COLEMAN, P.E. 126025, C.O.R. F-001112 ON MARCH 22, 2024. THIS DRAWING IS FOR PERMIT PURPOSES ONLY.



PROJECT NUMBER: DU-TX-3-2
KEITH LAKE FISH PASS
SECTION "C-C" & SECTION "D-D"
DATE: 3/24

DUCKS UNLIMITED INC.
SOUTHERN REGIONAL OFFICE
193 Business Park Drive, Suite E
Ridgeland, MS 39157
C.O.A. F-001112 EXPIRES: 9/30/24



SECTION "E-E"
HORIZONTAL SCALE: 1" = 40'
VERTICAL SCALE: 1" = 8'

CROSS SECTIONS LEGEND

- EXISTING GROUND PROFILE
- PROPOSED GRADE PROFILE
-  3X5 BEDDING STONE
-  440# ROCK RIPRAP
- POLYMERIC TRITON GRID COMPOSITE SYSTEM
- MEAN HIGH WATER — ELEVATION 0.69 (NAVD88)

TIDAL DATUMS (NAVD88)

- MHHW = 0.81
- MHW = 0.69
- MTL = 0.03
- MLW = -0.64
- MLLW = -1.12
- *BASED ON TEXAS POINT, SABINE
PASS NOAA TIDE GAUGE #8770822
HTL = 1.1 (NAVD88)

NOTICE: THIS DOCUMENT IS RELEASED FOR THE PURPOSE OF INTERIM REVIEW UNDER THE AUTHORITY OF CARTER A. COLEMAN, P.E. 126025, C.O.R. F-001112 ON MARCH 22, 2024. THIS DRAWING IS FOR PERMIT PURPOSES ONLY.

PROJECT NUMBER: DU-TX-3-2
KEITH LAKE FISH PASS
SECTION "E-E"
DATE: 3/24


DUCKS
UNLIMITED
INC.
SOUTHERN REGIONAL OFFICE
193 Business Park Drive, Suite E
Ridgeland, MS 39157
C.O.A. F-001112 EXPIRES: 9/30/24

SHEET NUMBER
8

Open Water - Earthwork Impact Tables					
	Below MHW (0.69 NAVD)	Above MHW (0.69 NAVD)	Below HTL (1.1 NAVD)	Above HTL (1.1 NAVD)	Total Project Quantity
Excavation (CY)	808.42	0	808.42	N/A	27,056
Embankment (CY)	947.41	0	947.41	N/A	947

Wetland - Earthwork Impact Tables					
	Below MHW (0.69 NAVD)	Above MHW (0.69 NAVD)	Below HTL (1.1 NAVD)	Above HTL (1.1 NAVD)	Total Project Quantity
Excavation (CY)	25841.96	0	25841.96	N/A	27,056
Embankment (CY)	0	0	0	N/A	947

Open Water - Armorment Impacts					
	Below MHW (0.69 NAVD)	Above MHW (0.69 NAVD)	Below HTL (1.1 NAVD)	Above HTL (1.1 NAVD)	Total Project Quantity
Ton 440# Stone	12197	0	12197	N/A	52,116
CY 440# Stone	6776.11	0	6776.11	N/A	28,953.33
Ton 3x5 Stone	3367	1513	4880	N/A	19,275
CY 3x5 Stone	1870.67	840.44	2711.11	N/A	10,708.33

Wetland - Armorment Impacts					
	Below MHW (0.69 NAVD)	Above MHW (0.69 NAVD)	Below HTL (1.1 NAVD)	Above HTL (1.1 NAVD)	Total Project Quantity
Ton 440# Stone	39457	0	39457	N/A	52,116
CY 440# Stone	21920.56	0	21920.56	N/A	28,953.33
Ton 3x5 Stone	9806	4405	14211	N/A	19,275
CY 3x5 Stone	5447.78	2447.22	7895	N/A	10,708.33

NOTICE: THIS DOCUMENT IS RELEASED FOR THE PURPOSE OF INTERIM REVIEW UNDER THE AUTHORITY OF CARTER A. COLEMAN, P.E. 126025, C.O.R. F-001112 ON MARCH 22, 2024. THIS DRAWING IS FOR PERMIT PURPOSES ONLY.

PROJECT NUMBER: DU-TX-3-2
 KEITH LAKE FISH PASS
 IMPACT TABLES
 DATE: 3/24


 DUCKS
 UNLIMITED
 INC.
 SOUTHERN REGIONAL OFFICE
 193 Business Park Drive, Suite E
 Ridgeland, MS 39157
 C.O.A. F-001112 EXPIRES: 9/30/24